

# CRONO S-PID4 50

REF: PS4AQ



## Ambulatory infusion pump

### INTENDED PURPOSE

**CRONO S-PID4 50** is an ambulatory pump for subcutaneous infusions of immunoglobulins.

### PUMP DESCRIPTION

**CRONO S-PID4 50** is a medical device.

Its small size and reduced weight make **CRONO S-PID4 50** ideal for home use, thus giving the patient the freedom to engage in everyday activities during the treatment.

**CRONO S-PID4 50** uses dedicated 50 ml reservoir.

Main technical features of the pump:

- The possibility of choosing from two different operation modes:
  - Time mode (T), with infusion duration setting selectable by the user
  - Flow rate mode (F), with infusion flow rate setting selectable by the user
- Bluetooth interface for communication with CronoManagementTouch

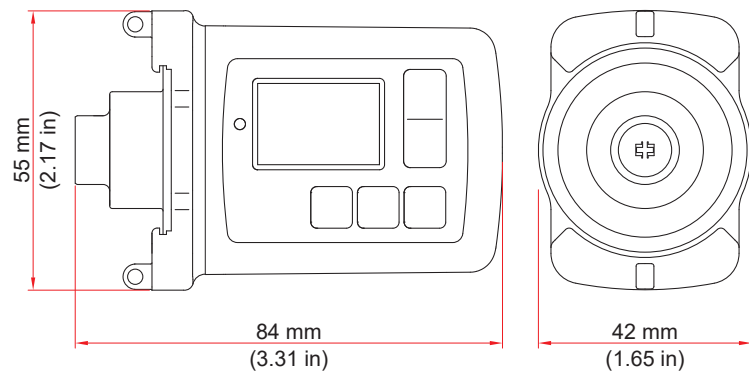
The pusher mechanism acts directly on the plunger of the reservoir, allowing for an accurate administration of the drug.

The pump administers 10 µl shots at intervals which depend on the chosen flow rate. If the programmed flow rate is increased, the time interval between the shots decreases proportionally.

**CRONO S-PID4 50** features a graphical OLED display for improved user interaction which shows practical information viewable by the healthcare personnel and the patient about the settings, operation and diagnostics of the pump.

# TECHNICAL FEATURES

## Dimensions



<b>Weight</b>	139 g (4.90 oz.), including battery	
<b>Power supply</b>	CR123A 3V lithium battery	
<b>Battery life</b>	About 90 infusions	
<b>Display</b>	Colour OLED 96x64 pixels	
<b>Ingress protection</b>	IP 42	
<b>Acoustic signal pressure level</b>	53 dBA +/- 5 dBA	
<b>Data storage</b>	The value settings and counters are retained even without the battery	
<b>Motor</b>	Coreless DC motor, the rotation of which is controlled by an infrared system	
<b>Electronic circuits with twin Microcontrollers</b>	Ensures a more reliable and safer infusion system	
<b>Safety circuits</b>	They monitor the correct functioning by intervening in the event of faults with acoustic signals and messages on the display	
<b>Single-use reservoir</b>	Dedicated reservoir with 50 ml capacity and Luer-Lock universal safety fitting	
<b>Administrable volume</b>	from 1 to 50 ml	
<b>Volume increase</b>	1 ml	
<b>T mode</b>		
<b>Total infusion time</b>	from 30 min to 1 h	from 1 h to 10 h
<b>Programming increment</b>	5 min	15 min
<b>F mode</b>		
<b>Infusion flow rate</b>	from 5 to 10 ml/h	from 10 to 100 ml/h
<b>Programming increment</b>	0.1 ml/h	1 ml/h
<b>Flow rate accuracy</b>	+/- 3 %	
<b>Prime volume</b>	from 0.1 to 0.5 ml, repeatable up to a maximum of 3.0 ml	
<b>Maximum occlusion pressure</b>	4.4 bar	
<b>Post-occlusion bolus (ml)</b>	About 1.8 ml	
<b>Warranty</b>	2 years from the date of purchase against any material or manufacturing defects	
<b>Standard equipment</b>	CRONO S-PID4 50 ambulatory pump, Carrying case, Elastic belt, Fabric case, Support strap, 2 Batteries (1 of which in the pump), Accessory for opening the battery compartment, Instructions for use	
<b>Environmental conditions for use</b>	Temperature: +5 ÷ +40 °C Relative humidity: 15% ÷ 90% RH (non-condensing, water vapour partial pressure max 50 hPa) Pressure: 700 ÷ 1060 hPa	
<b>Environmental conditions for storage and transport</b>	Temperature: -25 ÷ +70 °C Relative humidity: 15% ÷ 90% RH	