

# CRONO S-PID 50

REF: PS3PL



## Ambulatory infusion pump

### INTENDED PURPOSE

**CRONO S-PID 50** is an ambulatory pump for subcutaneous infusions of immunoglobulins.

### PUMP DESCRIPTION

**CRONO S-PID 50** is a medical device.

**CRONO S-PID 50** is an union of high technology and innovative design. Its compact size and light weight make it ideal for home use.

**CRONO S-PID 50** uses 50 ml dedicated reservoirs.

The main features of the pump are:

- The possibility of selecting between time or flow rate programming mode;
- The possibility of dividing the drug volume contained in the reservoir over several infusion sites (feature available only in flow rate mode).

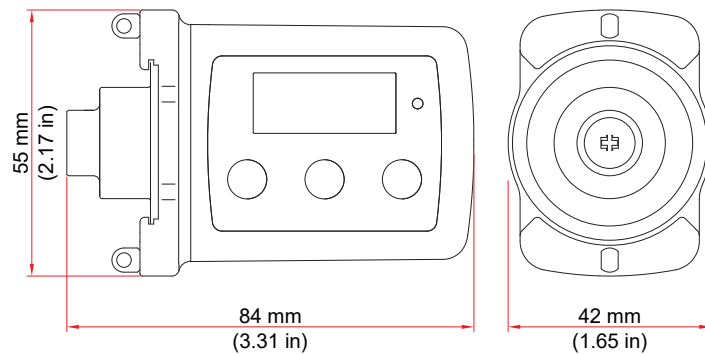
The pump is equipped with a settings lock to prevent incorrect or unauthorised administration.

The pusher mechanism, which operates directly on the rubber piston of the reservoir, enables the pump to combine high delivery pressure with excellent precision while administering the drugs.

**CRONO S-PID 50** is provided with a liquid crystal display (LCD) which shows practical information to the doctor and patient about the settings, operations and diagnostics of the pump.

# TECHNICAL FEATURES

## Pump dimensions



<b>Pump weight</b>	139 g (4.90 oz.), including battery
<b>Battery</b>	Lithium CR123A 3V (battery life about 90 infusions)
<b>Single-use reservoir</b>	Dedicated with a 50 ml capacity and a Luer-Lock universal security attachment
<b>Administrable volumes</b>	Programmable, from 1 to 50 ml in increments of 1 ml
<b>Prime function</b>	Only available at the start of the infusion. The maximum deliverable volume is 1.5 ml
<b>Time mode (Delivery time)</b>	Programmable: <ul style="list-style-type: none"> <li>• from 30 min to 1 h in increments of 5 min</li> <li>• from 1 h to 50 h in increments of 15 min</li> <li>• from 50 h to 500 h in increments of 2 h</li> </ul>
<b>Flow rate mode</b>	Programmable: <ul style="list-style-type: none"> <li>• from 0.1 ml/h to 1 ml/h in increments of 0.01 ml/h</li> <li>• from 1 ml/h to 10 ml/h in increments of 0.1 ml/h</li> <li>• from 10 ml/h to 100 ml/h in increments of 1 ml/h</li> </ul>
<b>Number of infusion sites (only in Flow rate mode)</b>	Selectable, from 1 to 5 sites
<b>Shot volume</b>	20 µl (minimum quantity administered at each motor rotation)
<b>Flow rate precision</b>	+/- 3 %
<b>Occlusion pressure</b>	3.0 bar +/- 1.5
<b>Post-occlusion bolus</b>	About 1.8 ml
<b>Settings memory</b>	All settings are automatically stored in a flash memory which is retained even if the device is left without a battery
<b>Display</b>	Liquid crystal display (LCD) (size 11 x 28 mm; 0.43 x 1.1 in)
<b>Motor</b>	Coreless DC motor, the rotation of which is controlled by an infrared system
<b>Settings lock</b>	Two configurable levels
<b>Electronic circuit with twin microcontrollers</b>	Ensures a more reliable and safer infusion system
<b>Safety circuits</b>	These check that the device is functioning correctly, intervening in the event of any anomaly with sounds and messages on the display
<b>Ingress protection rating</b>	IP 42
<b>Buzzer sound pressure level</b>	53 dBA +/- 5 dBA
<b>Warranty</b>	2 years from the date of purchase against any material or manufacturing defects
<b>Standard equipment</b>	CRONO S-PID 50 ambulatory pump, Carry-case, Elastic belt, Fabric case, Collar strap, 2 Batteries (1 of which in the pump), Battery-cover opening tool, Instructions for use
<b>Environmental conditions for use</b>	+5°C / +40°C 15% / 90% RH (non-condensing, water vapour partial pressure max 50 hPa) 700 hPa / 1060 hPa
<b>Environmental conditions for storage and transport</b>	-25°C / +70°C 15% / 90% RH