

CRONO S-PID 100

REF: PS3AF



Ambulatory infusion pump

INTENDED PURPOSE

CRONO S-PID 100 is an ambulatory pump for subcutaneous infusions of immunoglobulins.

PUMP DESCRIPTION

CRONO S-PID 100 is a medical device.

CRONO S-PID 100 is an union of high technology and innovative design. Its compact size and light weight make it ideal for home use.

CRONO S-PID 100 uses 100 ml dedicated reservoirs.

The main features of the pump are:

- The possibility of selecting between time or flow rate programming mode;
- The possibility of dividing the drug volume contained in the reservoir over several infusion sites (feature available only in flow rate mode).

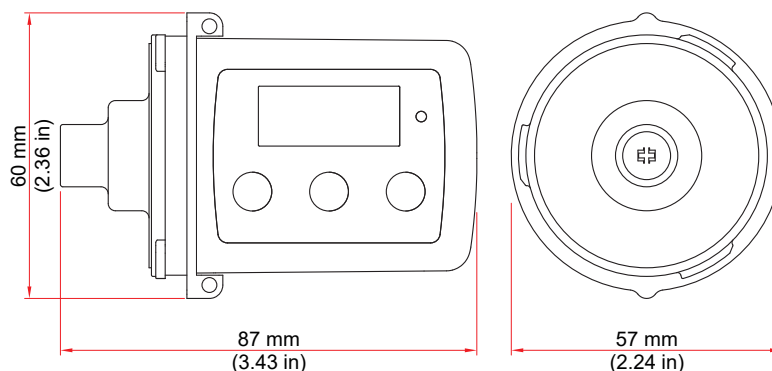
The pump is equipped with a settings lock to prevent incorrect or unauthorised administration.

The pusher mechanism, which operates directly on the rubber piston of the reservoir, enables the pump to combine high delivery pressure with excellent precision while administering the drugs.

CRONO S-PID 100 is provided with a liquid crystal display (LCD) which shows practical information to the doctor and patient about the settings, operations and diagnostics of the pump.

TECHNICAL FEATURES

Pump dimensions



Pump weight	140 g (4.94 oz.), including battery
Battery	Lithium CR123A 3V (battery life about 60 infusions)
Single-use reservoir	Dedicated with a 100 ml capacity and a Luer-Lock universal security attachment
Administrable volumes	Programmable, from 1 to 100 ml in increments of 1 ml
Prime function	Only available at the start of the infusion. The maximum deliverable volume is 3.0 ml
Time mode (delivery time)	Programmable: <ul style="list-style-type: none"> • from 20 min to 1 h in increments of 5 min • from 1 h to 50 h in increments of 15 min • from 50 h to 500 h in increments of 2 h
Flow rate mode	Programmable: <ul style="list-style-type: none"> • from 0.2 ml/h to 1 ml/h in increments of 0.01 ml/h • from 1 ml/h to 10 ml/h in increments of 0.1 ml/h • from 10 ml/h to 300 ml/h in increments of 1 ml/h
Number of infusion sites (only in Flow rate mode)	Selectable, from 1 to 5 sites
Shot volume	20 µl (minimum quantity administered at each motor rotation)
Flow rate precision	+/- 3 %
Occlusion pressure	2.2 bar +/- 1
Post-occlusion bolus	About 4.0 ml
Settings memory	All settings are automatically stored in a flash memory which is retained even if the device is left without a battery
Display	Liquid crystal display (LCD) (dimensions 11 x 28 mm; 0.43 x 1.1 in)
Motor	Coreless DC motor, the rotation of which is controlled by an infrared system
Settings lock	Two configurable levels
Electronic circuit with twin microcontrollers	Ensures a more reliable and safer infusion system
Safety circuits	These check that the device is functioning correctly, intervening in the event of any anomaly with sounds and messages on the display
Ingress protection rating	IP 42
Buzzer sound pressure level	53 dBA +/- 5 dBA
Warranty	2 years from the date of purchase against any material or manufacturing defects
Standard equipment	CRONO S-PID 100 ambulatory pump, Carry-case, Elastic belt, Fabric case, Collar strap, 2 Batteries (1 of which in the pump), Battery-cover opening tool, Instructions for use
Environmental conditions for use	+5°C / +40°C 15% / 90% RH (non-condensing, water vapour partial pressure max 50 hPa) 700 hPa / 1060 hPa
Environmental conditions for storage and transport	-25°C / +70°C 15% / 90% RH

